

Current Sensors with Relay: 0-5VDC Analog Output

H932 & H952



SPECIFICATIONS

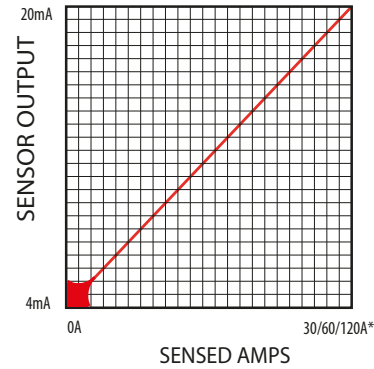
Sensor Power	30mA (max.)@12-30VDC
Insulation Class	600VAC RMS
Frequency Range	50/60 Hz
Temperature Range	-15° to 60°C (5° to 140°F)
Humidity Range	10-90% RH non-condensing
Accuracy	±2% F.S. from 10% to 100% (selected range)
Response Time	2 sec.
Terminal Block Wire Size	24-14 AWG (0.2 to 2.1 mm ²)
Terminal Block Torque	3.5 to 4.4 in-lbs (0.4 to 0.5 N-m)
Agency Approvals	UL 508 open device listing, CAT III, pollution degree 2, basic insulation

Do not use LED status indicators as evidence of applied voltage



EXAMPLE LINEAR OUTPUT

Scale software as shown



*Factory calibrated ranges selected with the amperage range switch

Load Trending and Control Relay In One Package

FEATURES

- Self-powered analog current sensor with integral start/stop command relay
- Reduces the number of installed components... saves time and space
- Self-gripping, split-core design for fast retrofit installation...no need to remove conductor
- One device to install for start/stop and status... reduces installation charges
- No external power required for current sensor
- Selectable factory calibrated ranges up to 120A for increased flexibility and resolution
- Factory calibrated switch-selectable ranges (30/60/120A) for high resolution and installation ease
- No jumpers on unit...reduces installation error
- Removable mounting bracket for installation flexibility
- Bracket can be installed in three different configurations... added flexibility
- Command relay switches up to 5A@250VAC
- 5-year warranty

DESCRIPTION

The Hawkeye 932 and H952 Series provide accurate load trending information with a proportional 0-5VDC output signal. This feature combined with an integrated command relay makes these products ideal for start/stop and status monitoring of motors.

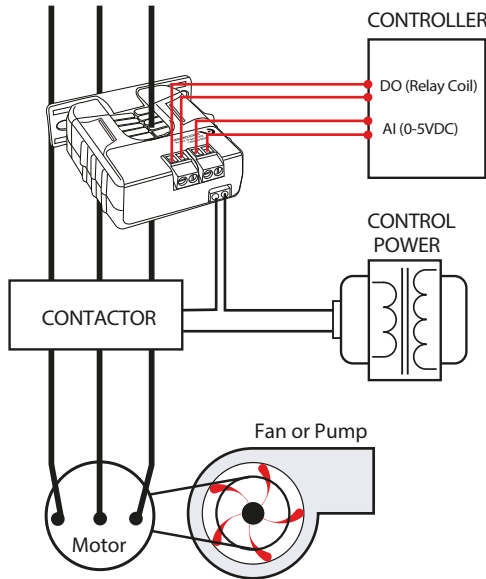
The relay is fully isolated from the current sensor, and all relay connections are externally available for maximum flexibility.

APPLICATIONS

- Load trending
- Motor control
- Fan/Pump status

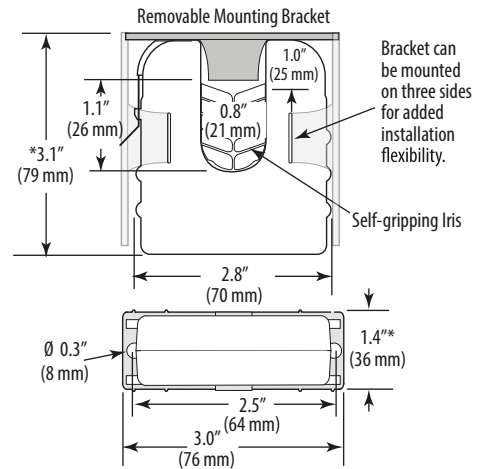
WIRING DIAGRAMS

Trending & Controlling Motor Loads with the Hawkeye 932



DIMENSIONAL DRAWINGS

H932/H952



RELAY CONTACT RATINGS (N.O.)

Resistive.....	5A@240VAC
	5A@30VDC
Inductive.....	2A@240VAC
	2A@30VDC

TYPICAL COIL PERFORMANCE

Voltage	AC	DC
24	15mA	15mA
12		20mA
Pull In Voltage (H952 only)		
12VDC		8.4VDC
Drop Out Voltage (H952 only)		
12VDC		3.0VDC

ORDERING INFORMATION



MODEL	AMPERAGE RANGE	SENSOR OUTPUT	RELAY TYPE	RELAY COIL	HOUSING	UL
H932	0 - 30/60/120A	0 - 5VDC	SPST, N.O.	24VAC/DC	Split-core	●
H952				12VDC		●

ACCESSORIES

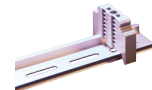
DIN Rail Clip Set (AH01)
DIN Rail (AV01) and DIN Stop Clip (AV02)



AH01



AV01



AV02