

Current Sensors with Relay: 4-20mA Analog Output

H931 & H951



Hawkeye™

H931

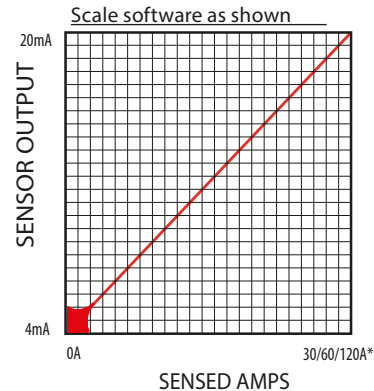


SPECIFICATIONS

| | |
|--------------------------|---------------------------------------------------------------------------|
| Sensor Power | 30mA (max.)@12-30VDC |
| Insulation Class | 600VAC RMS |
| Frequency Range | 50/60 Hz |
| Temperature Range | -15° to 60°C (5° to 140°F) |
| Humidity Range | 10-90% RH non-condensing |
| Accuracy | ±2% F.S. from 10% to 100% (selected range) |
| Response Time | 2 sec. |
| Terminal Block Wire Size | 24-14 AWG (0.2 to 2.1 mm ²) |
| Terminal Block Torque | 3.5 to 4.4 in-lbs (0.4 to 0.5 N-m) |
| Agency Approvals | UL 508 open device listing, CAT III, pollution degree 2, basic insulation |

Do not use LED status indicators as evidence of applied voltage

EXAMPLE LINEAR OUTPUT



*Factory calibrated ranges selected with the amperage range switch

Load Trending and Control Relay In One Package

FEATURES

- Loop-powered analog current sensor with integral start/stop command relay
- Reduces the number of installed components...saves time and space
- Self-gripping, split-core design for fast retrofit installation...no need to remove conductor
- One device to install for start/stop & status...reduces installation charges
- Power the current sensor and receive the 4-20mA signal with only two wires...fewer wires required than with traditional 3-wire sensors
- Selectable factory calibrated ranges up to 120A for increased flexibility and resolution
- Factory calibrated switch-selectable ranges (30/60/120A) for high resolution and installation ease
- No jumpers on unit...reduce installation error
- Removable mounting bracket for installation flexibility
- Bracket can be installed in three different configurations... added flexibility
- Command relay switches up to 5A@250VAC
- 5-year warranty

Specifications subject to change without notice

DESCRIPTION

The Hawkeye 931 and 951 provide accurate load trending information with a proportional 4-20mA output signal. These devices offer three amperage ranges for versatility, with easy slide-switch selection. The command relay is fully integrated in the device, but it is isolated from the current sensor. This combination makes these products ideal for start/stop control and status monitoring of motors, using one device instead of two.

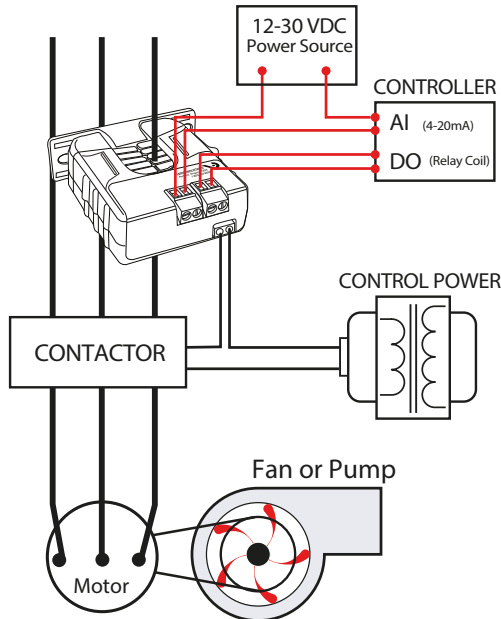
APPLICATIONS

- Load trending
- Motor control
- Positive proof of flow

Issue 08-2014

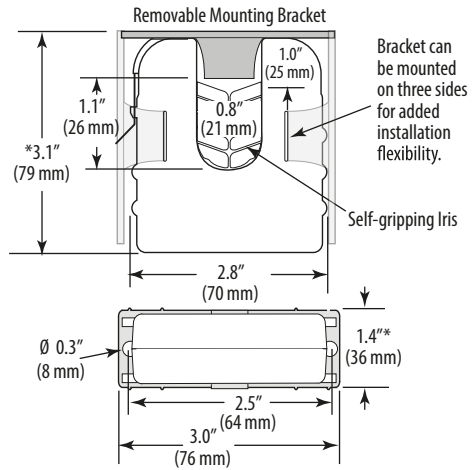
WIRING DIAGRAMS

Trending & Controlling Motor Loads with the Hawkeye 931



DIMENSIONAL DRAWINGS

H931/H951



* Terminal block may extend up to 1/8" over the height dimensions shown.
** Slide switch may extend up to 1/4" over the height dimensions shown.

RELAY CONTACT RATINGS (N.O.)

| | |
|----------------|------------|
| Resistive..... | 5A@240 VAC |
| | 5A@30 VDC |
| Inductive..... | 2A@240 VAC |
| | 2A@30 VDC |

TYPICAL COIL PERFORMANCE

| Voltage | AC | DC |
|------------------------------|----|--------|
| 24 | 15 | 15 |
| 12 | | 20 |
| Pull In Voltage (H951 only) | | |
| 12VDC | | 8.4VDC |
| Drop Out Voltage (H951 only) | | |
| 12VDC | | 3.0VDC |

ORDERING INFORMATION



| MODEL | AMPERAGE RANGE | SENSOR OUTPUT | RELAY TYPE | RELAY COIL | RELAY | RELAY POWER LED | UL |
|-------|----------------|---------------|------------|------------|-------|-----------------|----|
| H931 | 0 - 30/60/120A | 4 - 20mA | SPST, N.O. | 24VAC/DC | ● | ● | ● |
| H951 | | | | 12VDC nom. | ● | ● | ● |

ACCESSORIES

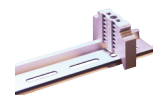
DIN Rail Clip Set (AH01)
DIN Rail (AV01) and DIN Stop Clip (AV02)



AH01



AV01



AV02